

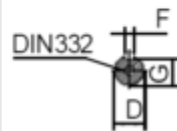
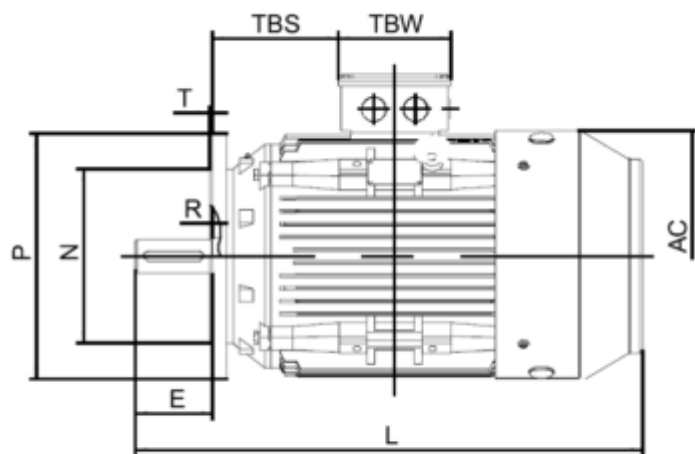
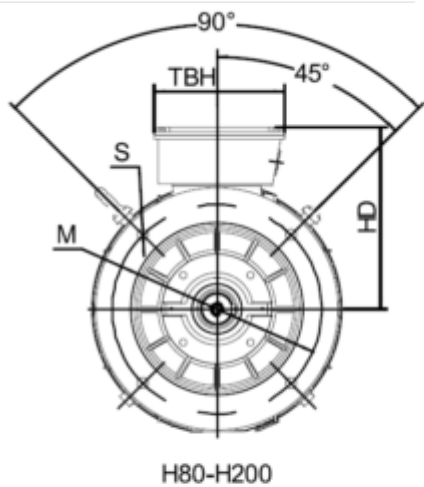
# Data Sheet



Article number: 250202200224

Description: Kleedrive T2C 180M-2 22kW 2800 rpm  
3x400/690V 50HZ IP55 B5 Eff=91.3%

## Measures



AA = 354	K = Ø15	TBH = 187
AC = Ø360	L = 687	TBS = 160
AD = 445	M = Ø300	TBW = 162
D = Ø48	N = Ø250	
E = 110	P = Ø350	
F = -	R = 0	
G = 42.5	S = 5	
HD = 265	T = 4xØ19	